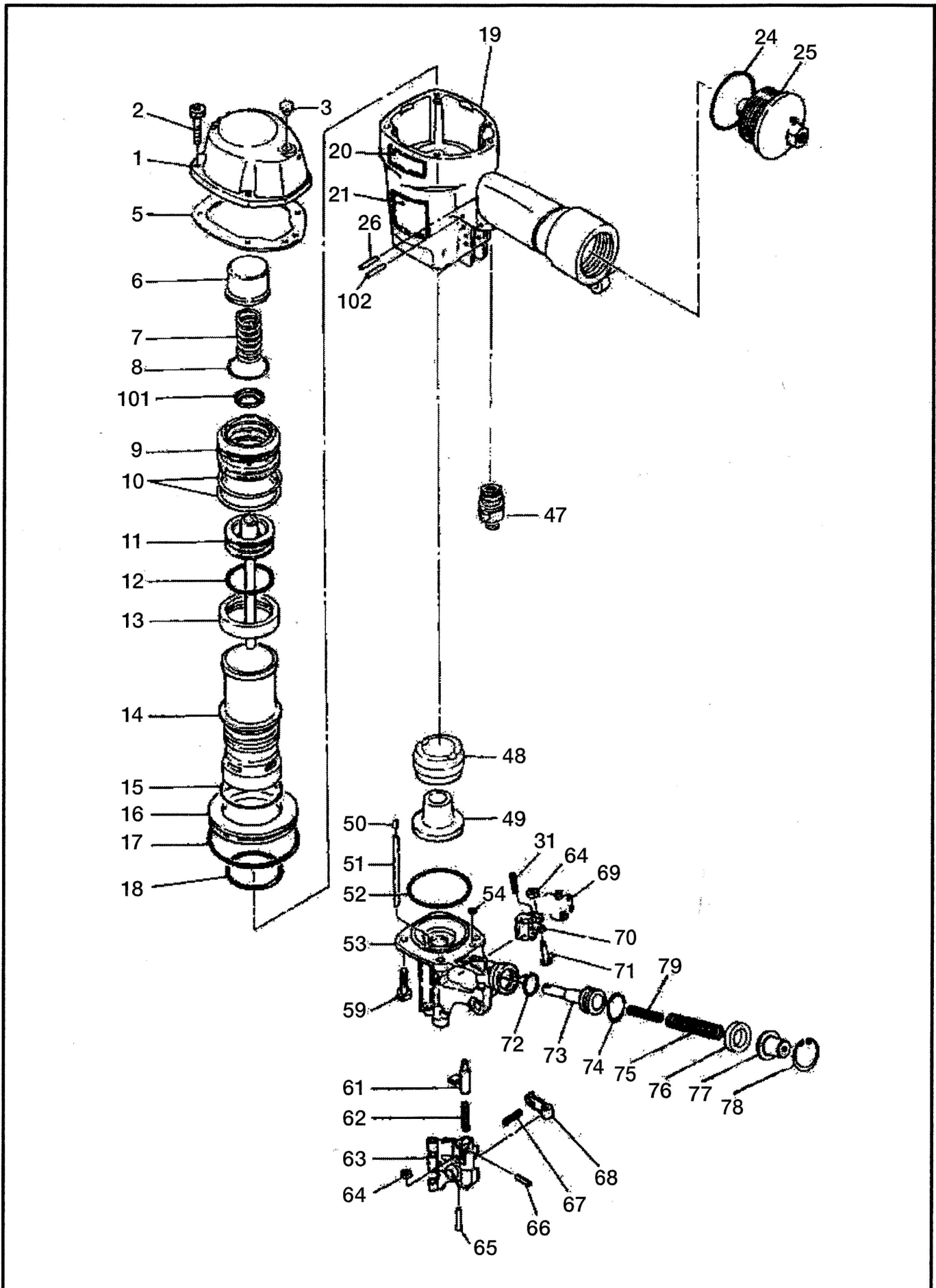


CN70/PAL

PNEUMATIC COILNAILER FOR AUTOMATION MACHINE



Tool Model	Part No	Part Code	Description
CN70PAL	1	CN81205	CYLINDER CAP UNIT, REPLACES CN34422
CN70PAL	2	BB40422	BOLT 6X30
CN70PAL	3	TA12319	GROMMET
CN70PAL	5	CN37549	CYLINDER CAP SEAL, REPLACES CN34467
CN70PAL	6	CN37525	PISTON STOP, REPLACES CN31555
CN70PAL	7	KK23195	COMPRESSION SPRING -3195
CN70PAL	8	HH19142	O-RING 1A3X56,6
CN70PAL	9	CN37526	HEAD VALVE PISTON, REPLACES CN35826, CN31664
CN70PAL	10	HH19195	O-RING 1A3X56,8
CN70PAL	11	CN81204	MAIN PISTON UNIT, REPLACES CN31657
CN70PAL	12	HH19196	O-RING 1A4,9X43
CN70PAL	13	CN37527	CYLINDER SEAL, REPLACES CN31560
CN70PAL	14	CN37532	CYLINDER, REPLACES CN31558
CN70PAL	15	HH19192	O-RING 1A3,1X56,5
CN70PAL	16	CN37524	CYLINDER RING, REPLACES CN31559
CN70PAL	17	HH12117	O-RING 1AG85
CN70PAL	18	HH11169	O-RING 1AP56
CN70PAL	19	CN37546	FRAME, REPLACES CN34441
CN70PAL	20	CN34426	"CN70" LABEL
CN70PAL	21	CN37439	WARNING LABEL (MAGAZINE), REPLACES CN34879
CN70PAL	24	HH12102	O-RING 1AG50
CN70PAL	*25	NC12742	END CAP
CN70PAL	26	FF21229	ROLL PIN 3X20
CN70PAL	31	FF21220	ROLL PIN 3X16
CN70PAL	*47**	XB93106	REMOTE CONTROL VALVE FOR CN70-5/32"
CN70PAL	*47**	RCV70	REMOTE CONTROL VALVE FOR CN70/80
CN70PAL	48	CN31563	BUMPER"A"
CN70PAL	49	CN31564	BUMPER "B"
CN70PAL	50	CN31594	PIN CAP
CN70PAL	51	FF31127	STRAIGHT PIN 1127
CN70PAL	52	HH19139	O-RING 1A1,5X53,5
CN70PAL	*53	NC12861	NOSE UNIT
CN70PAL	54	HH19125	O-RING 1A1, 6X4.2
CN70PAL	59	BB40443	SCREW M8X28
CN70PAL	61	CN37371	DOOR LATCH, REPLACES CN30587
CN70PAL	62	KK23123	COMPRESSION SPRING 3123
CN70PAL	63	CN37522	DOOR, REPLACES CN34427
CN70PAL	64	EE39602	RUBBER WASHER 7, REPLACES EE39604, EE39623
CN70PAL	65	FF41286	STEP IN 1286
CN70PAL	66	FF21234	ROLL PIN 3X12
CN70PAL	67	KK23109	COMPRESSION SPRING 3109
CN70PAL	68	CN37523	CHECK PAWL, REPLACES CN30584
CN70PAL	69	KK33058	TORSION SPRING 3058
CN70PAL	70	CN31568	FEED PAWL
CN70PAL	71	FF41263	STEP PIN 1263
CN70PAL	72	HH11132	O-RING 1AP10A
CN70PAL	73	CN37537	FEED PISTON, REPLACES CN31569
CN70PAL	74	HH11143	O-RING 1AP21
CN70PAL	75	KK23225	COMPRESSION SPRING 3225
CN70PAL	76	CN37528	FEED PISTON STOP, REPLACES CN31570
CN70PAL	77	CN37538	SPRING COLLAR, REPLACES CN31571
CN70PAL	78	JJ22407	RETAINING RING C26
CN70PAL	*79	KK23737	COMPRESSION SPRING 3737
CN70PAL	101	CN37547	HEAD VALVE WASHER, REPLACES CN34453
CN70PAL	102	FF21611	ROLL PIN 3X32 AW

Tool Model	Part No	Part Code	Description
	* - SPECIAL PARTS FOR PAL		
** - XB93106 - for 5/32" Hose, RCV70 - for 1/4" hose			