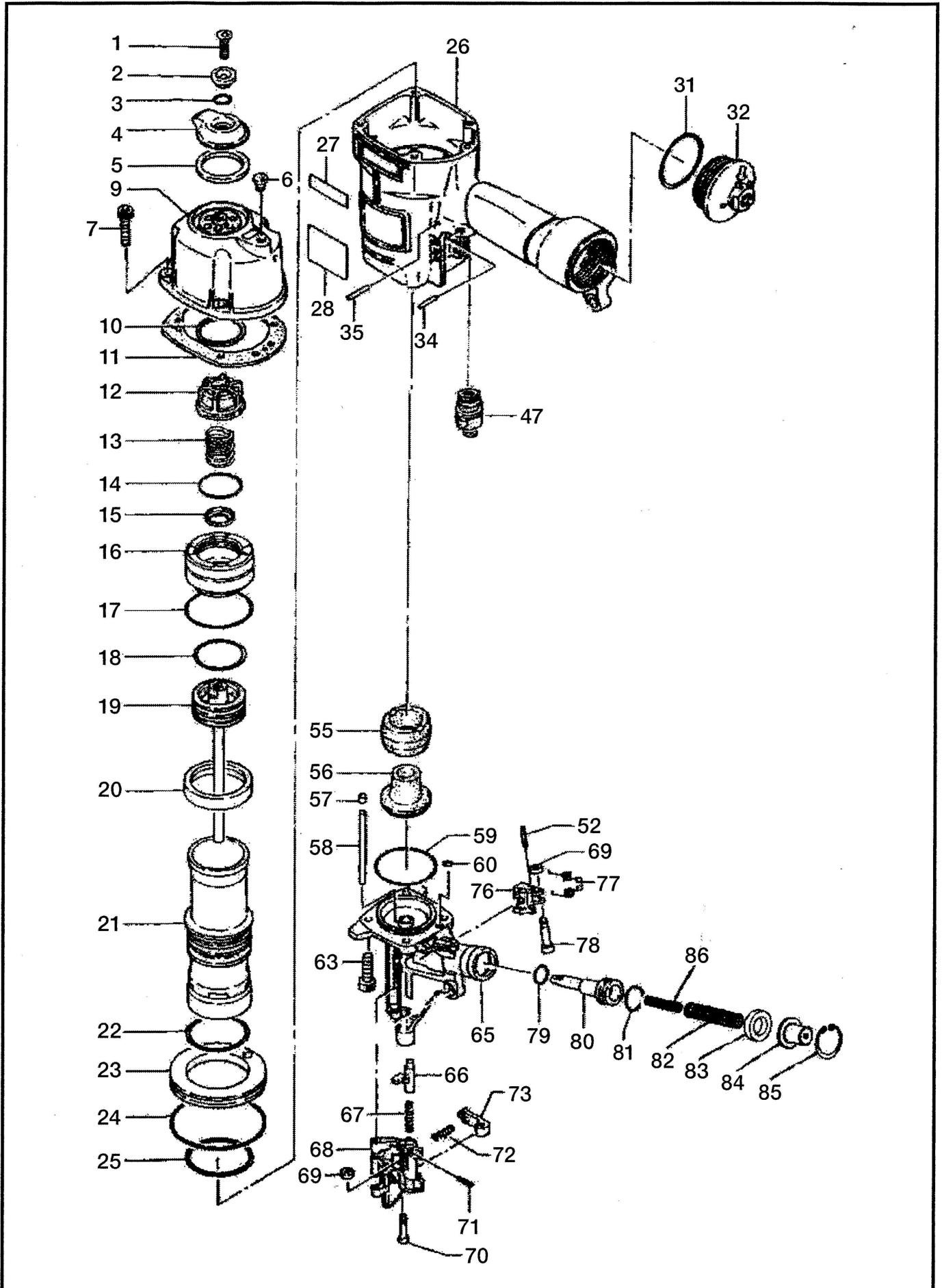


# CN80/PAL

## PNEUMATIC COILNAILER FOR AUTOMATION MACHINE



Tool Model	Part No	Part Code	Description
CN80PAL	1	AA82427	SCREW M8X20
CN80PAL	2	CN32631	EXHAUSE COVER HOLDER
CN80PAL	3	HH11132	O-RING 1AP10A
CN80PAL	4	CN37675	EXHAUST COVER, REPLACES CN32585
CN80PAL	5	CN37376	EXHAUST COVER SEAL, REPLACES CN32242
CN80PAL	6	TA12319	GROMMET
CN80PAL	7	BB40422	BOLT 6X30
CN80PAL	9	CN81208	CYLINDER CAP UNIT, REPLACES KN11165
CN80PAL	10	CN34458	SPACER EXHAUSE
CN80PAL	11	CN37549	CYLINDER CAP SEAL, REPLACES CN34467
CN80PAL	12	CN37674	PISTON STOP, REPLACES CN34444
CN80PAL	13	KK23195	COMPRESSION SPRING -3195
CN80PAL	14	HH19142	O-RING 1A3X56,6
CN80PAL	15	CN37547	HEAD VALVE WASHER, REPLACES CN34453
CN80PAL	16	CN37673	HEAD VALVE PISTON, REPLACES CN34460
CN80PAL	17	HH19195	O-RING 1A3X56,8
CN80PAL	18	HH19196	O-RING 1A4,9X43
CN80PAL	19	CN81206	MAIN PISTON UNIT, REPLACES CN34445
CN80PAL	20	CN37527	CYLINDER SEAL, REPLACES CN31560
CN80PAL	21	CN37687	CYLINDER, REPLACES KN10853
CN80PAL	22	HH19192	O-RING 1A3,1X56,5
CN80PAL	23	CN37524	CYLINDER RING, REPLACES CN31559
CN80PAL	24	HH12117	O-RING 1AG85
CN80PAL	25	HH11169	O-RING 1AP56
CN80PAL	26	CN37546	FRAME, REPLACES CN34441
CN80PAL	27	CN34457	"CN80" LABEL
CN80PAL	28	CN37439	WARNING LABEL (MAGAZINE), REPLACES CN34879
CN80PAL	31	HH12102	O-RING 1AG50
CN80PAL	*32	NC12742	END CAP
CN80PAL	34	FF21229	ROLL PIN 3X20
CN80PAL	35	FF21611	ROLL PIN 3X32 AW
CN80PAL	*47**	XB93106	REMOTE CONTROL VALVE FOR CN70-5/32"
CN80PAL	*47**	RCV70	REMOTE CONTROL VALVE FOR CN70/80
CN80PAL	52	FF21220	ROLL PIN 3X16
CN80PAL	55	CN31563	BUMPER"A"
CN80PAL	56	CN31564	BUMPER "B"
CN80PAL	57	CN31594	PIN CAP
CN80PAL	58	FF31127	STRAIGHT PIN 1127
CN80PAL	59	HH19139	O-RING 1A1,5X53,5
CN80PAL	60	HH19125	O-RING 1A1, 6X4.2
CN80PAL	63	BB40444	SCREW M8X30
CN80PAL	*65	NC12862	NOSE UNIT
CN80PAL	66	CN37371	DOOR LATCH, REPLACES CN30587
CN80PAL	67	KK23123	COMPRESSION SPRING 3123
CN80PAL	68	CN37672	DOOR, REPLACES CN34450
CN80PAL	69	EE39602	RUBBER WASHER 7, REPLACES EE39604, EE39623
CN80PAL	70	FF41286	STEP IN 1286
CN80PAL	71	FF21234	ROLL PIN 3X12
CN80PAL	72	KK23109	COMPRESSION SPRING 3109
CN80PAL	73	CN37523	CHECK PAWL (CN30584 replaced)
CN80PAL	76	CN34448	FEED PAWL

<b>Tool Model</b>	<b>Part No</b>	<b>Part Code</b>	<b>Description</b>
CN80PAL	77	KK33058	TORSION SPRING 3058
CN80PAL	78	FF41263	STEP PIN 1263
CN80PAL	79	HH11124	O-RING 1AP10
CN80PAL	80	CN37678	FEED PISTON, REPLACES CN34449
CN80PAL	81	HH11143	O-RING 1AP21
CN80PAL	82	KK23225	COMPRESSION SPRING 3225
CN80PAL	83	CN37528	FEED PISTON STOP, REPLACES CN31570
CN80PAL	84	CN37538	SPRING COLLAR, REPLACES CN31571
CN80PAL	85	JJ22407	RETAINING RING C26
CN80PAL	*86	KK23737	COMPRESSION SPRING 3737
* - SPECIAL PARTS FOR PAL			
** - XB93106 - for 5/32" hose, RCV70 - for 1/4" hose			