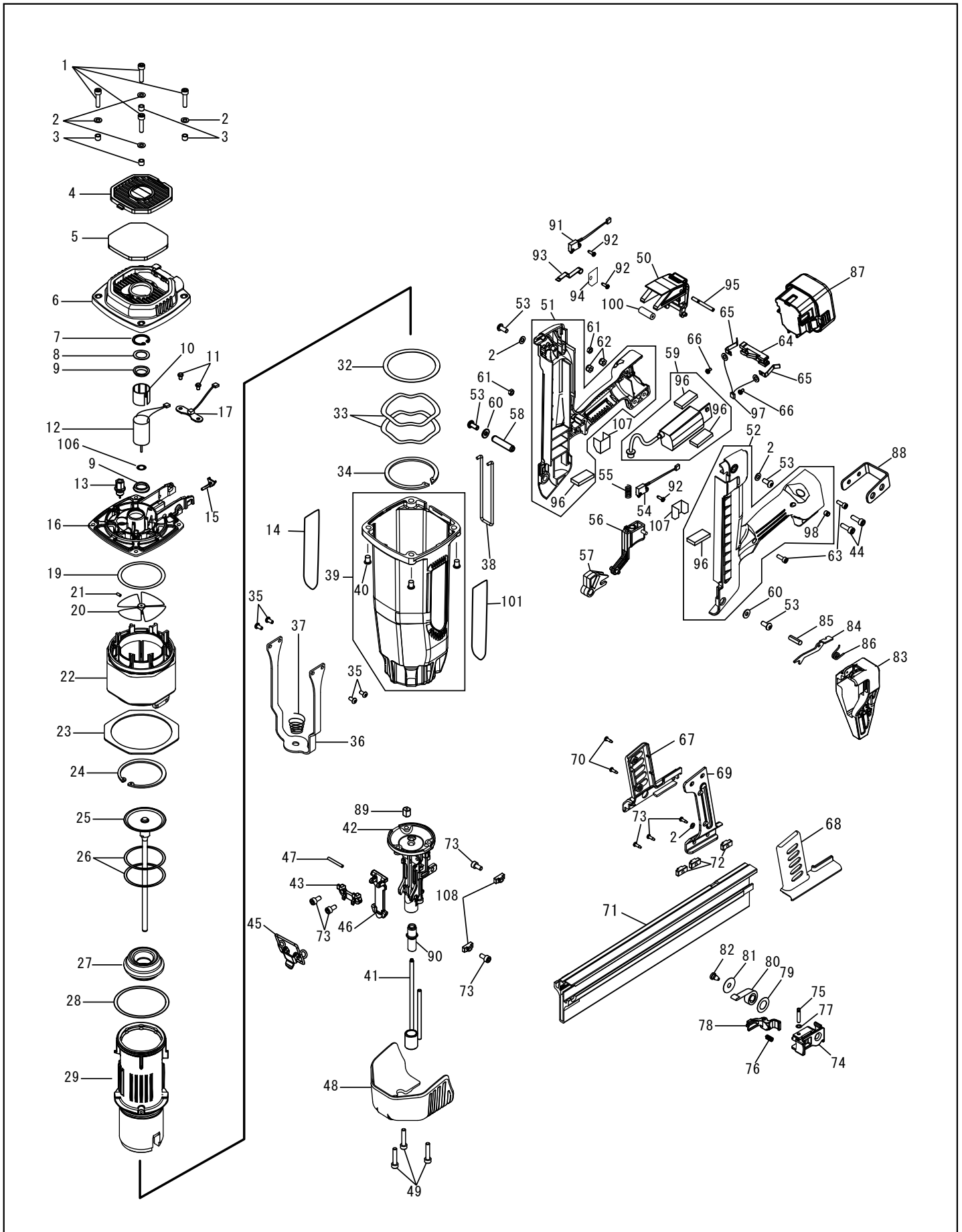


GS865E

CORDLESS NAILER



Tool Model	Part NO	Part Code	Description
GS865E	1	BB40706	SCREW M5X22
GS865E	2	EE31121	WASHER 1-5
GS865E	3	FF51520	PIN 1520
GS865E	4	GN10002	AIR FILTER COVER
GS865E	5	GN11038	AIR FILTER, REPLACES GN11096
GS865E	6	GN10945	CYLINDER CAP
GS865E	7	JJ22409	INTERNAL LOCK RING 22
GS865E	8	EE39719	PLANE WASHER 15X21.8X0.5
GS865E	9	GN10448	MOTOR MOUNT, REPLACES GN12052
GS865E	10	GN10449	MOTOR SLEEVE
GS865E	11	AA01703	PAN HEAD SCREW 4x8 WITH WASHER
GS865E	12	GN70098	MOTOR UNIT
GS865E	13	GN80036	3.82SPARK PLUG ASSY, REPLACES GN70005
GS865E	14	GN10437	WARNING LABEL
GS865E	15	GN10629	STEM ADAPTER
GS865E	16	GN10212	CYLINDER HEAD
GS865E	17	GN70136	CONNECTION VOARD UNIT
GS865E	19	HH14230	O-RING AS568-230
GS865E	20	GN70001	FAN UNIT
GS865E	21	AA71406	SCREW M4X4
GS865E	22	GN10214	COMBUTION CHAMBER
GS865E	23	GN10215	AIR DAM
GS865E	24	GN10221	RETAINING RING
GS865E	25	GN70062	Main Piston Unit
GS865E	26	GN10224	PISTON RING
GS865E	27	GN10225	BUMPER
GS865E	28	HH19612	O-RING 3 53X69 44
GS865E	29	GN70065	CYLINDER UNIT
GS865E	32	GN10218	MID CHECK WASHER
GS865E	33	GN10219	MID-CHECK SPRING
GS865E	34	GN10220	MID-CHECK RETAINING RING
GS865E	35	BB40456	BOLT 5X8
GS865E	36	GN10914	CAGE
GS865E	37	KK83007	CAGE SPRING
GS865E	38	GN10626	LOCK-OUT BAR
GS865E	39	GN80070	FRAME ASSY
GS865E	40	GN10060	INSERT NUT
GS865E	41	GN70047	CONTACT ARM UNIT
GS865E	42	GN10206	NOSE PIECE
GS865E	43	GN10028	DRIVER GUIDE A
GS865E	44	BB40705	SCREW M5X20
GS865E	45	GN70141	JAM CLEAR LEVER UNIT
GS865E	46	GN10617	NOSE PIECE DOOR
GS865E	47	FF21221	ROLL PIN 3X25
GS865E	48	GN70064	DUST SHIELD
GS865E	49	BB40708	SCREW M5X25
GS865E	50	GN10455	FUEL COVER
GS865E	51	GN80075	HANDLE RIGHT
GS865E	52	GN70069	HANDLE LEFT
GS865E	53	BB40707	SCREW M5X14
GS865E	54	GN70129	TRIGGER SWITCH UNIT

Tool Model	Part NO	Part Code	Description
GS865E	55	KK23975	COMP SPRING 3975, REPLACES KK23913
GS865E	56	GN80159	TRIGGER
GS865E	57	GN10916	SAFETY CAM
GS865E	58	GN10042	SAFTY CAM BUSHING
GS865E	59	GN70130	CONTROAL UNIT
GS865E	60	EE39172	PLAIN WASHER 5.1X12X1.2
GS865E	61	CC42404	NUT M4
GS865E	62	CC49508	SPECIAL NUT M5
GS865E	63	BB40704	screw M4C12
GS865E	64	GN10059	ELECTRODE BLOCK
GS865E	65	GN10058	ELECTRODE PLATE
GS865E	66	AA01106	SCREW 3X6 WITH WASHER
GS865E	67	GN10621	TAIL HANGER COVER B
GS865E	68	GN10620	TAIL HANGER COVER
GS865E	69	GN10109	TRACK SUPPORT
GS865E	70	AA31722	SCREW 3X8
GS865E	71	GN10207	MAGAZINE
GS865E	72	GN10032	MAGAZINE UNIT
GS865E	73	BB40703	BOLT 5X10
GS865E	74	GN11035	PUSHER STOPPER
GS865E	75	FF31292	STRAIGHT PIN
GS865E	76	KK23875	COMPRESSION SPRING
GS865E	77	EE39602	RUBBER WASHER 7, REPLACES EE39604, EE39623
GS865E	78	GN10628	FOLLOWER
GS865E	79	GN10037	washer
GS865E	80	GN70038	PUSHER LOCK
GS865E	81	GN10036	WASHER
GS865E	82	CN31083	DUST COVER HOOK
GS865E	83	GN10208	MAGAZINE FOOT
GS865E	84	GN10911	NAIL STOPPER
GS865E	85	FF21212	ROLL PIN 2.5X16
GS865E	86	KK33364	SPRING 33364
GS865E	88	GN10051	BELT HOOK
GS865E	89	GN10923	CONTACT NUT
GS865E	90	GN10915	NOSE TOP
GS865E	91	GN70138	MOTOR SWITCH UNIT
GS865E	92	AA31101	+, TAPPING SCREW
GS865E	93	GN11161	SWITCH LEVER, REPLACES GN10055
GS865E	94	GN10084	SWITCH PLATE
GS865E	95	FF31293	ACTUATION PIN
GS865E	96	GN10046	SPONGE SPACER
GS865E	97	GN70013	POWER CORD HARNESS UNIT
GS865E	98	GN10083	LED LENS
GS865E	100	GN10085	RUBBER BUSHING
GS865E	101	GN10941	Label (GS865E USA)
GS865E	106	GN10026	WASHER
GS865E	107	GN10457	TRIGGER GUIDE
GS865E	108	GN10917	MAGAZINE NUT