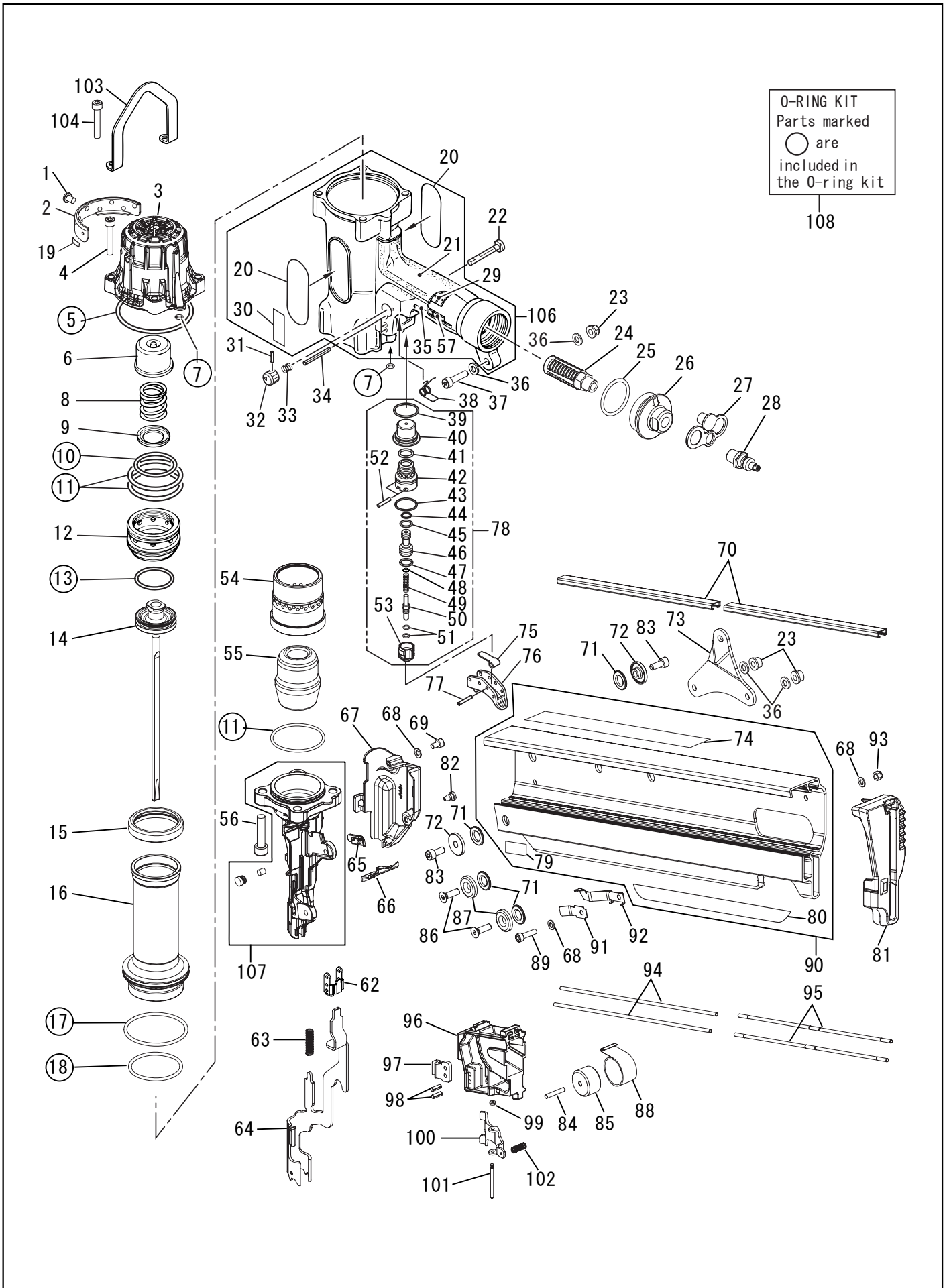


HS130

Stick Nailer



| Tool Model | Part NO | Part Code | Description |
|-------------------|----------------|------------------|----------------------------|
| HS130 | 1 | BB41701 | SPECIAL SCREW M6X8 |
| HS130 | 2 | HS10817 | EXHAUST COVER |
| HS130 | 3 | HS70077 | CYLINDER CAP UNIT |
| HS130 | 4 | BB40227 | HEX.SOC.HD.CAP SCREW M6X35 |
| HS130 | 5 | HH14040 | O-RING ARP568-040 |
| HS130 | 6 | HN10275 | PISTON STOP |
| HS130 | 7 | HH11120 | O-RING ARP568-009 CN65079 |
| HS130 | 8 | KK23516 | COMP SPRING 3516 |
| HS130 | 9 | CN31892 | SPRING SHEET |
| HS130 | 10 | HH19708 | O-RING 1A2.6X39.5 |
| HS130 | 11 | HH11157 | O-RING ARP568-136 |
| HS130 | 12 | HN10274 | HEAD VALVE PISTON |
| HS130 | 13 | HH11803 | O-RING P36 |
| HS130 | 14 | HS70080 | MAIN PISTON UNIT |
| HS130 | 15 | HN10278 | CYLINDER SEAL |
| HS130 | 16 | HS10809 | CYLINDER A |
| HS130 | 17 | HH12108 | O-RING AG60 |
| HS130 | 18 | HH12102 | O-RING AG50 |
| HS130 | 19 | HS10831 | FILTER |
| HS130 | 20 | HS10825 | NAME LABEL (HS130CE) |
| HS130 | 21 | HN10310 | GRIP COVER A |
| HS130 | 22 | CN34088 | TRIGGER LOCK LEVER |
| HS130 | 23 | CC51002 | NUT M6 |
| HS130 | 24 | TA17024 | END CAP FILTER KM-23 |
| HS130 | 25 | HH12118 | O RING 1AG35 |
| HS130 | 26 | HS10802 | END CAP |
| HS130 | 27 | HN10316 | END PLUG CAP |
| HS130 | 28 | TT05416 | AIR PLUG |
| HS130 | 29 | HN10322 | BUFFER SEAT A |
| HS130 | 30 | HN10757 | TRIGGER LOCK SEAL |
| HS130 | 31 | FF21201 | PIN 2.5X10 |
| HS130 | 32 | HN10327 | TRIGGER LOCK DIAL |
| HS130 | 33 | KK23507 | SPRING 3507 |
| HS130 | 34 | FF21235 | SPRING PIN 3X30 |
| HS130 | 35 | HN10311 | GRIP COVER B |
| HS130 | 36 | EE31105 | WASHER 1-6 |
| HS130 | 37 | BB40701 | HEX.SOC.HD.CAP SCREW M6X25 |
| HS130 | 38 | KK33189 | TORSION SPRING 3189 |
| HS130 | 39 | HH11159 | O-RING ARP568-016 |
| HS130 | 40 | HN10326 | TRIGGER VALVE CAGE |
| HS130 | 41 | HH11151 | O-RING ARP568-013 |
| HS130 | 42 | HN10283 | TRIGGER VALVE HOUSING |
| HS130 | 43 | HH11138 | O-RING AP20 |
| HS130 | 44 | HH11119 | O-RING AP6 |
| HS130 | 45 | HH11802 | O-RING P7 |
| HS130 | 46 | CN33627 | PILOT VALVE |
| HS130 | 47 | HH11113 | O-RING AP9 |
| HS130 | 48 | CN31436 | PILOT OLIFICE |
| HS130 | 49 | KK23814 | COMPRESSION SPRING 3814 |
| HS130 | 50 | HN10328 | TRIGGER VALVE STEM |
| HS130 | 51 | HH11901 | O-RING 1.4 X 2.5 |

| Tool Model | Part NO | Part Code | Description |
|-------------------|----------------|------------------|-------------------------------|
| HS130 | 52 | FF30161 | PIN 161 |
| HS130 | 53 | HN10284 | TRIGGER VALVE CAP |
| HS130 | 54 | HS10810 | CYLINDER B |
| HS130 | 55 | HS10815 | BUMPER |
| HS130 | 56 | BB40445 | M8 X 35 HSHC SCREW |
| HS130 | 57 | HN10323 | BUFFER SEAT B |
| HS130 | 62 | HN10287 | ARM GUIDE UNIT |
| HS130 | 63 | KK29024 | COMPRESSION SPRING 9024 |
| HS130 | 64 | HS10814 | CONTACT ARM |
| HS130 | 65 | HS10812 | MAGAZINE GUIDE B |
| HS130 | 66 | HS10811 | MAGAZINE GUIDE A |
| HS130 | 67 | HS10816 | ARM COVER |
| HS130 | 68 | EE31121 | WASHER 1-5(BLACK) |
| HS130 | 69 | BB40456 | HEX.SOC.HD.CAP SCREW M5X8 |
| HS130 | 70 | HS10799 | NAIL COVER |
| HS130 | 71 | HS10804 | RUBBER WASHER |
| HS130 | 72 | HS10803 | COLLAR |
| HS130 | 73 | HS10801 | TAIL HANGER |
| HS130 | 74 | HS10824 | CAUTION LABEL |
| HS130 | 75 | HN10286 | CONTACT LEVER |
| HS130 | 76 | TA16329 | TRIGGER UNIT |
| HS130 | 77 | FF22402 | SPRING PIN 3X16 (LIGHT LOAD) |
| HS130 | 78 | HS70086 | TRIGGER VALVE KIT |
| HS130 | 79 | HS10828 | WARNING LABEL |
| HS130 | 80 | HS10823 | NAME LABEL |
| HS130 | 81 | HS70091 | TAIL COVER UNIT |
| HS130 | 82 | CN31083 | HOOK, DUST COVER |
| HS130 | 83 | BB40436 | HEX.SOC.HD.CAP SCREW M6X14 |
| HS130 | 84 | FF31190 | PIN 1190 |
| HS130 | 85 | HS10807 | SPRING COLLAR |
| HS130 | 86 | BB42801 | HEX.SOC.FL.HD.CAP SCREW M6X20 |
| HS130 | 87 | HS10822 | MAGAZINE HOLDER |
| HS130 | 88 | KK44024 | SPIRAL SPRING 4024 |
| HS130 | 89 | BB40417 | HEX.SOC.HD.CAP SCREW M5X18 |
| HS130 | 90 | HS80029 | MAGAZINE ASSY |
| HS130 | 91 | KN12420 | NAIL STOPPER B |
| HS130 | 92 | GN10433 | NAIL STOPPER |
| HS130 | 93 | CC49411 | SPECIAL NUT M5 |
| HS130 | 94 | HS10800 | NAIL GUIDE A |
| HS130 | 95 | KN12624 | NAIL GUIDE B |
| HS130 | 96 | HS10806 | PUSHER HOLDER |
| HS130 | 97 | GN10425 | LOCK PLATE |
| HS130 | 98 | FF21239 | SPRING PIN 4X12 |
| HS130 | 99 | EE39609 | RUBBER WASHER 1.8X6X2 |
| HS130 | 100 | HS10805 | PUSHER |
| HS130 | 101 | FF31603 | PIN 1603 |
| HS130 | 102 | KK23932 | SPRING 3932 |
| HS130 | 103 | HS10826 | BODY HANGER |
| HS130 | 104 | BB40457 | HEX.SOC.HD.CAP SCREW M6X38 |
| HS130 | 106 | HS80028 | FRAME ASSY |
| HS130 | 107 | HS70087 | NOSE UNIT |

| Tool Model | Part NO | Part Code | Description |
|-------------------|----------------|------------------|--------------------|
| HS130 | 108 | HS80030 | O-RING KIT |