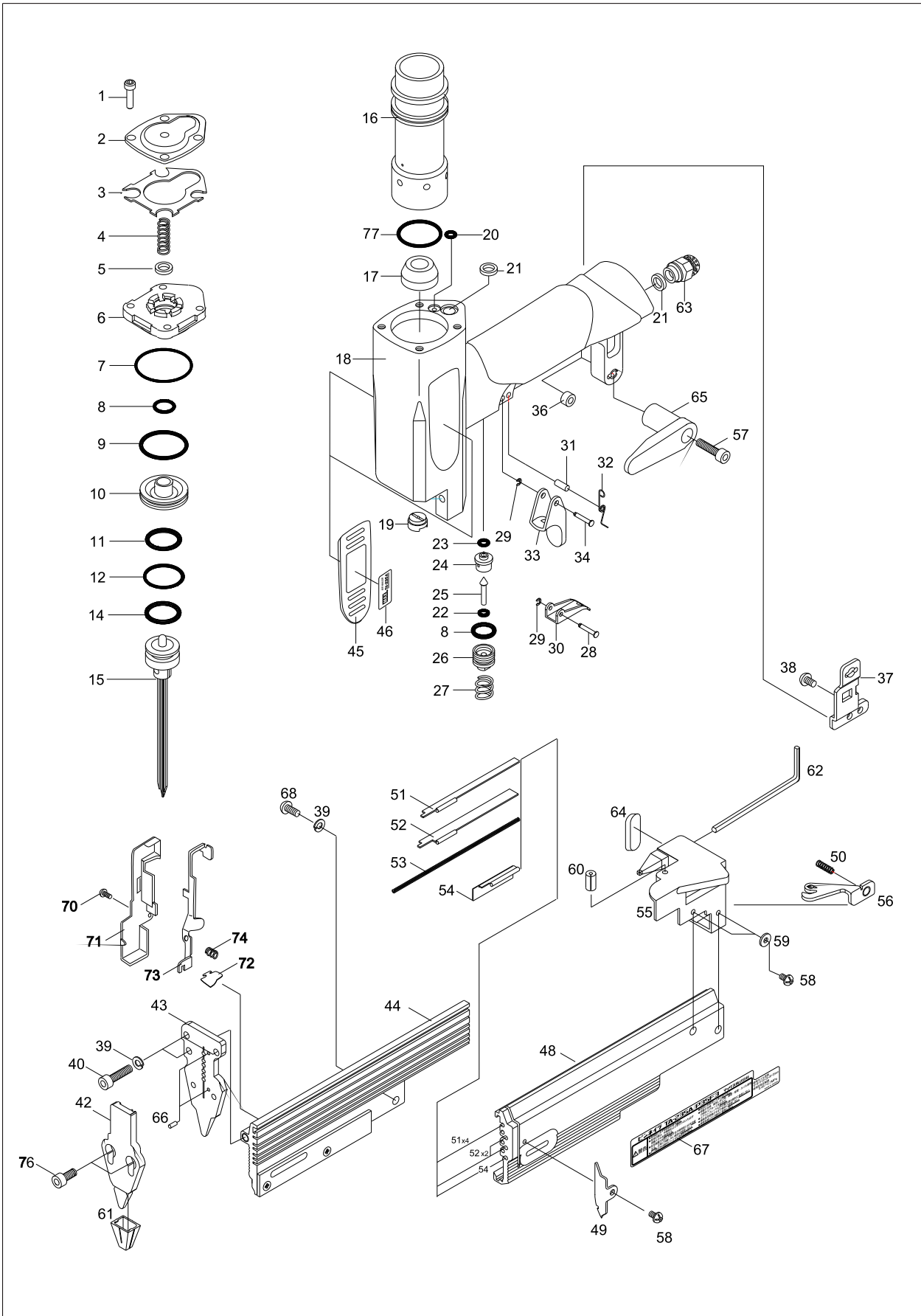


NF235A/23-35

PNEUMATIC PIN NAILER

EXPLODED VIEW AND SPARE PARTS LIST



Tool Model	Part NO	Part Code	Description
NF235A/23-35	1	BB40210	SCREW M5X20
NF235A/23-35	2	TA18061	EXHAUST COVER
NF235A/23-35	3	TA18062	SEAL A014G
NF235A/23-35	4	TA17369	COMP. SPRING A2342
NF235A/23-35	5	TA17370	SEAL A1442
NF235A/23-35	6	TA18156	CYLINDER CAP
NF235A/23-35	7	TA17372	O-RING 26 X 1
NF235A/23-35	8	TA17373	O-RING 12 X2
NF235A/23-35	9	PK10089	O-RING AS568-118
NF235A/23-35	10	TA18158	HEAD VALVE PISTON
NF235A/23-35	11	TA17376	O-RING 8X3
NF235A/23-35	12	TA18159	O-RING 19X3
NF235A/23-35	14	TA18161	O-RING 15X3
NF235A/23-35	15	TA81078	MAIN PISTON UNIT
NF235A/23-35	16	TA18162	CYLINDER
NF235A/23-35	17	TA17381	BUMPER
NF235A/23-35	18	NC13211	FRAME UNIT
NF235A/23-35	19	TA17383	NOZZLE
NF235A/23-35	20	TA18065	O-RING 3X1.5
NF235A/23-35	21	TA18066	SEAL A274G
NF235A/23-35	22	TA17386	O-RING 4.2X1.25
NF235A/23-35	23	HH11113	O-RING AP9
NF235A/23-35	24	TA17388	TRIGGER VALVE SEAT
NF235A/23-35	25	TA17389	TRIGGER VALVE STEM
NF235A/23-35	26	TA17390	TRIGGER VALVE GUIDE
NF235A/23-35	27	TA17391	TRIGGER SPRING
NF235A/23-35	28	TA17392	PIN 3X16.5
NF235A/23-35	29	TA17393	E-RING
NF235A/23-35	30	TA18067	TRIGGER A
NF235A/23-35	31	TA17395	PIN 3X8.2
NF235A/23-35	32	TA17396	SAFETY TRIGGER SPRING
NF235A/23-35	33	TA18068	TRIGGER B
NF235A/23-35	34	TA17398	PIN 3X12
NF235A/23-35	36	TA18069	NYLON NUT 311-5M
NF235A/23-35	37	TA18070	TAIL HANGER
NF235A/23-35	38	TA17401	BOLT M4X6
NF235A/23-35	39	TA18071	SPRING WASHER M4
NF235A/23-35	40	TA18163	BOLT M4X14 WITH WASHER
NF235A/23-35	42	TA18072	DRIVER GUIDE
NF235A/23-35	43	TA18073	WEAR PLATE UNIT
NF235A/23-35	44	TA81080	MAGAZINE UNIT
NF235A/23-35	45	TA18074	BODY PROTECTOR
NF235A/23-35	46	NC13213	LABEL "NF235A"
NF235A/23-35	47	TA17079	END CAP PLUG
NF235A/23-35	48	TA18076	SLIDER
NF235A/23-35	49	TA18077	SLIDER STOPPER
NF235A/23-35	50	TA18078	COMP. SPRING
NF235A/23-35	51	TA17410	PUSHER A
NF235A/23-35	52	TA17411	PUSHER B
NF235A/23-35	53	KK23936	SPRING 3936
NF235A/23-35	54	TA17413	PUSHER

Tool Model	Part NO	Part Code	Description
NF235A/23-35	55	TA18079	SLIDER CAP
NF235A/23-35	56	TA18080	CLICK LEVER
NF235A/23-35	57	BB40405	BOLT 5X25
NF235A/23-35	58	TA18081	HEX SCREW 3X6
NF235A/23-35	59	TA18082	WASHER 3X8X1
NF235A/23-35	60	FF21210	PIN 3 X 10
NF235A/23-35	61	TA18083	DRIVER GUIDE TOP
NF235A/23-35	63	TA18084	SILENCER
NF235A/23-35	64	TA18085	SLIDER CAP PROTECTOR
NF235A/23-35	65	TA16132	HOOK
NF235A/23-35	66	TA18087	PIN 2.1X5
NF235A/23-35	67	NC13214	WARNING LABEL
NF235A/23-35	68	TA17416	BOLT M4X10
NF235A/23-35	70	TA18167	BOLT M4X20F
NF235A/23-35	71	TA18168	COVER
NF235A/23-35	72	TA18169	NON-DRIVE PREVENTIVE LEVER
NF235A/23-35	73	TA18170	NON-DRIVE PREVENTIVE ARM
NF235A/23-35	74	TA18171	SPRING B084F
NF235A/23-35	76	TA18174	T-SCREW 4x12
NF235A/23-35	77	HH11147	O-RING ARP568-119