

NF255SF2/18

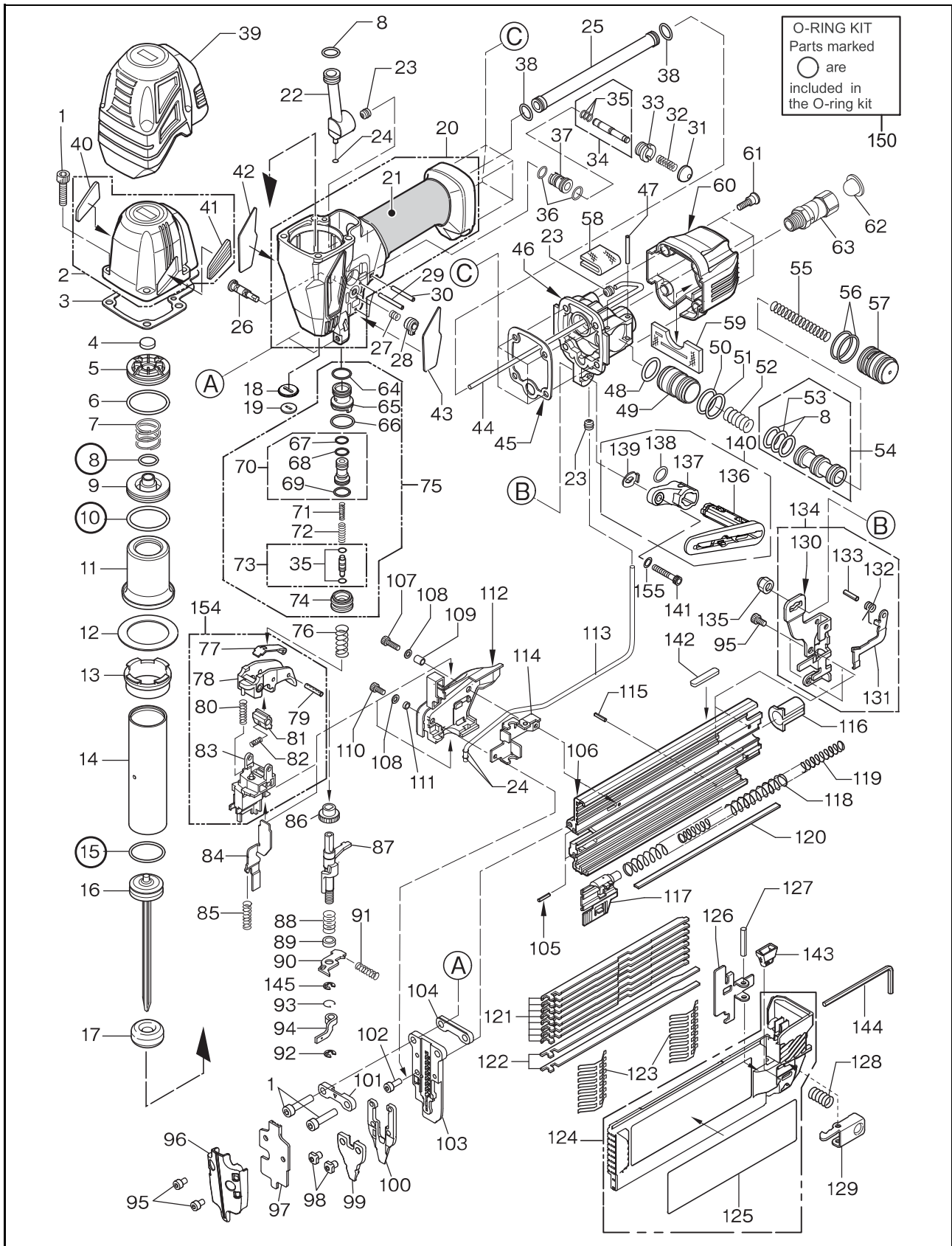
**EXPLODED
VIEW AND SPARE
PARTS LIST**

**SCHEMA ECLATE ET
LISTE DES PIECES
DE RECHANGE**

**DESPIECE DE LA
MAQUINA Y LISTA
DE RECAMBIOS**

**EINZELTEILDAR-
STELLUNG UND
ERSATZTEILLISTE**

**ESPLOSO DEI
COMPONENTI ED
ELENCO DELLE
PARTI DI RICAMBIO**



Tool Model	Part NO	Part Code	Description
TA92185	1	BB40401	BOLT 5 X 22
TA92185	2	TA81193	CYLINDER CAP ASSY
TA92185	3	TA17128	CYLINDER CAP SEAL
TA92185	4	TA15144	EXHAUST SEAL
TA92185	5	TA16079	HEAD VALVE GUIDE
TA92185	6	HH19107	O-RING A 2.4X26.8
TA92185	7	KK23723	COMPRESSION SPRING 3723
TA92185	8	HH11132	O-RING 1AP10A CN65072
TA92185	9	TA16139	HEAD VALVE PISTON
TA92185	10	HH19102	O-RING 1A 2.4X31.8 T29011(REPLACES TA15265)
TA92185	11	TA17078	CYLINDER SEAL
TA92185	12	TA17170	CYLINDER WASHER
TA92185	13	TA17132	CHECK VALVE
TA92185	14	TA17052	CYLINDER
TA92185	15	HH19901	O-RING 3.5X21.7
TA92185	16	TA70258	MAIN PISTON UNIT
TA92185	17	TA18449	BUMPER
TA92185	18	HA10848	NOZZLE A
TA92185	19	HA10849	NOZZLE B
TA92185	20	TA81197	BODY ASSY
TA92185	21	TA18436	GRIP COVER
TA92185	22	TA18662	PIPE A
TA92185	23	TA18665	DUSTER PIPE SEAL
TA92185	24	HH11903	O-RING 1A 1.2 X 4 T29051(REPLACES TA15277)
TA92185	25	TA18663	PIPE B
TA92185	26	CN35075	TRIGGER LOCK LEVER
TA92185	27	KK23507	SPRING 3507
TA92185	28	HN12123	TRIGGER LOCK DIAL
TA92185	29	FF21254	PIN 3 X 28 N10038
TA92185	30	FF21279	PIN 3X26
TA92185	31	TA18667	DUSTER BUTTON
TA92185	32	KK29002	COMPRESSION SPRING 9002
TA92185	33	TA18670	DUSTER STEM CAP
TA92185	34	TA81138	DUSTER STEM ASSY
TA92185	35	HH11901	O-RING 1.4 X 2.5 CN65020
TA92185	36	HH19782	O-RING 1.2X7
TA92185	37	TA18669	DUSTER STEM HOUSING
TA92185	38	HH11131	O-RING AP11
TA92185	39	TA18428	CYLINDER CAP PROTECTOR
TA92185	40	TA18438	FIXED RUBBER B
TA92185	41	TA18437	FIXED RUBBER A
TA92185	42	TA19936	LOGO SEAL B
TA92185	43	FS14384	LOGOTYPE LABEL
TA92185	44	TA18664	DUSTER PIPE A
TA92185	45	TA17148	END CAP SEAL
TA92185	46	TA19986	END CAP
TA92185	47	FF21623	SPRING PIN 3X22
TA92185	48	HH11812	O-RING P12.5
TA92185	49	TA18657	RELIEVE VALVE
TA92185	50	HH19746	O-RING A 1.5X15.5
TA92185	51	HH14908	O-RING AS568-015

Tool Model	Part NO	Part Code	Description
TA92185	52	KK23998	COMP. SPRING 3998
TA92185	53	HH11223	O-RING BP10A
TA92185	54	TA81134	DUSTER VALVE ASSY
TA92185	55	KK23999	COMPRESSION SPRING 3999
TA92185	56	HH19163	O-RING A 1.5X16.7
TA92185	57	TA18658	DUSTER VALVE CAP
TA92185	58	TA18675	FILTER B
TA92185	59	TA18661	FILTER A
TA92185	60	TA18660	EXHAUST COVER
TA92185	61	TA17155	SCREW 4X13
TA92185	62	CN34409	PULG CAP
TA92185	63	TT05423	CN70572 : SWIVEL JOINT
TA92185	64	HH19720	O-RING A 1.5X11.5
TA92185	65	TA16092	TRIGGER VALVE HOUSING
TA92185	66	HH19721	O-RING 1A 1.5X13.6
TA92185	67	HH11119	O-RING AP6 N10027
TA92185	68	HH11209	O-RING 1BP7 N10028
TA92185	69	HH11113	O-RING AP9 N5528
TA92185	70	TA80182	PILOT VALVE
TA92185	71	KK23983	COMP. SPRING 3983
TA92185	72	KK23984	COMP. SPRING 3984
TA92185	73	TA81195	TRIGGER VALVE STEM ASSY
TA92185	74	TA18439	TRIGGER VALVE CAP
TA92185	75	TA81116	TRIGGER VALVE KIT
TA92185	76	KK29010	COMP. SPRING 9010
TA92185	77	TA10970	RELIEF VALVE HOUSING
TA92185	78	CN36293	TRIGGER
TA92185	79	FF22412	ROLL PIN 3X12
TA92185	80	KK23282	COM. SPRING 3282
TA92185	81	TA18191	CONTACT LEVER B
TA92185	82	KK23957	COMP. SPRING 3957
TA92185	83	TA18450	ARM GUIDE
TA92185	84	TA18458	IDLING PREVENTIVE ARM
TA92185	85	KK23970	COMP. SPRING 3970
TA92185	86	TA18193	ADJUST DIAL
TA92185	87	HA70224	ADJUST BOLT UNIT
TA92185	88	KK29006	COMP. SPRING 9006
TA92185	89	EE39180	WASHER 6.1 X 8.6 X 2
TA92185	90	HA10841	IDLING PREVENTIVE LEVER
TA92185	91	KK29007	COMP. SPRING 9007
TA92185	92	JJ10103	E-RING 3.2
TA92185	93	HN10609	NUT STOPPER
TA92185	94	TA18626	DUSTER PIPE B
TA92185	95	BB40448	BOLT 4 X 6 T29036/T29062(REPLACES TA15543)
TA92185	96	HA18657	DRIVER GUIDE COVER
TA92185	97	HA18628	DRIVER GUIDE B
TA92185	98	TA17056	SCREW 5X6
TA92185	99	HA18649	CONTACT NOSE A
TA92185	100	HA18752	CONTACT NOSE B
TA92185	101	HA18632	DRIVER GUIDE A
TA92185	102	BB40441	HEX.BOLT 4X12 (REPLACES TA15539)

Tool Model	Part NO	Part Code	Description
TA92185	103	HA70209	WEAR PLATE UNIT
TA92185	104	HA18640	SPACER
TA92185	105	FF31578	PIN 1578
TA92185	106	TA18673	MAGAZINE
TA92185	107	BB40455	HEX. BOLT 3X12
TA92185	108	EE33115	WASHER 3
TA92185	109	FF51684	PIN 1684
TA92185	110	BB40410	BOLT 3X8
TA92185	111	FF51668	PIN 1668
TA92185	112	TA18672	ARM COVER
TA92185	113	TA18671	DUSTER PIPE B
TA92185	114	TA70288	COVER UNIT
TA92185	115	FF21202	PIN 3 X 6
TA92185	116	HA10840	SPRING COLLAR
TA92185	117	HA81062	PUSHER ASSY
TA92185	118	KK23979	COMP. SPRING 3979
TA92185	119	KK23978	COMP. SPRING 3978
TA92185	120	HA10834	BAR
TA92185	121	HA10837	RETAINING BAR
TA92185	122	TA15091	PUSHER GUIDE
TA92185	123	TA16112	PLATE SPRING
TA92185	124	TA81418	SLIDER LABEL ASSY
TA92185	125	TA19955	MODEL NAME LABEL
TA92185	126	TA16113	LOCK RELEASE PLATE
TA92185	127	FF21229	W.S.PIN 3X20
TA92185	128	KK23660	COMPRESSION SPRING 3660
TA92185	129	TA16114	CLICK LEVER
TA92185	130	HA10839	TAIL HANGER ASSY
TA92185	131	TA16110	PUSHER HOOK
TA92185	132	KK33251	TORSION SPRING 3251
TA92185	133	FF21234	W.S. PIN 3 X 12 CN65055
TA92185	134	HA81016	TAIL HANGER ASSY
TA92185	135	CC49411	SPECIAL NUT M5(REPLACES TA15554)
TA92185	136	HA18583	HOOK B
TA92185	137	HA18584	HOOK A
TA92185	138	HH11401	O-RING 3 P10
TA92185	139	HA10847	HOOK C
TA92185	140	HA81124	VARIABLE WIDTH HOOK KIT
TA92185	141	BB40460	BOLT 5 X 28
TA92185	142	TA18316	PROTECT RUBBER
TA92185	143	HA18635	CONTACT TIP
TA92185	144	TT15405	HEX. BAR WRENCH 3
TA92185	145	JJ10101	E-RING 4
TA92185	150	TA81047	O-RING KIT NF255
TA92185	154	HA81200	TRIGGER ARMGUIDE KIT ASSY
TA92185	155	EE31121	WASHER 1-5 (BLACK)