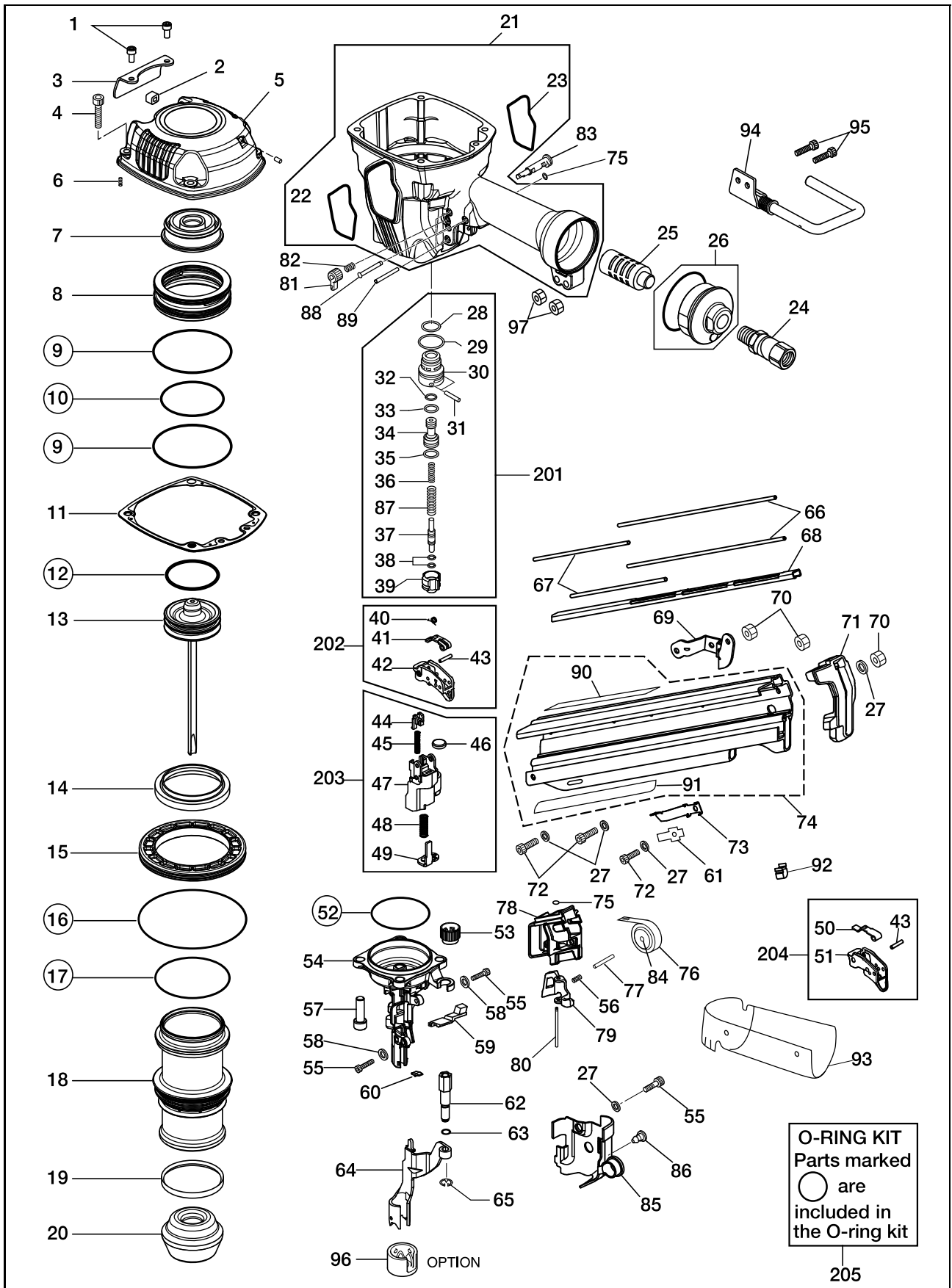


SN883CH2/28

EXPLODED VIEW
AND SPARE PARTS LIST

SCHEMA ECLATE ET LISTE DES
PIECES DE RECHANGE

DESPIECE DE LA MAQUINA Y LISTA
DE RECAMBIOS



O-RING KIT
Parts marked
○ are
included in
the O-ring kit

205

| Tool Model | INDEX | CODE | DESCRIPTION |
|-------------|-------|---------|------------------------------|
| SN883CH2/28 | 1 | KN12666 | SCREW 5X12 |
| SN883CH2/28 | 2 | KN12678 | EXHAUST GUIDE |
| SN883CH2/28 | 3 | KN12194 | EXHAUST COVER |
| SN883CH2/28 | 4 | KN12669 | SCREW 6X28 |
| SN883CH2/28 | 5 | KN70168 | CYLINDER CAP UNIT |
| SN883CH2/28 | 6 | KK24182 | COMPRESSION SPRING 4182 |
| SN883CH2/28 | 7 | CN38169 | PISTON STOP |
| SN883CH2/28 | 8 | KN12656 | HEAD VALVE PISTON |
| SN883CH2/28 | 9 | KN12650 | O-RING AS568-150 |
| SN883CH2/28 | 10 | KN12645 | O-RING AS568-142 |
| SN883CH2/28 | 11 | KN70142 | CYLINDER CAP SEAL UNIT |
| SN883CH2/28 | 12 | KN12613 | O-RING 4.5X48.8 |
| SN883CH2/28 | 13 | KN70136 | MAIN PISTON UNIT |
| SN883CH2/28 | 14 | KN12628 | CYLINDER SEAL |
| SN883CH2/28 | 15 | KN12190 | CYLINDER RING |
| SN883CH2/28 | 16 | KN12649 | O-RING 1AG100 |
| SN883CH2/28 | 17 | KN12648 | O-RING 1AG70 |
| SN883CH2/28 | 18 | KN12634 | CYLINDER |
| SN883CH2/28 | 19 | KN12614 | CHECK PAWL |
| SN883CH2/28 | 20 | KN12193 | BUMPER |
| SN883CH2/28 | 21 | KN81069 | FRAME |
| SN883CH2/28 | 22 | KN12205 | NAME LABEL A |
| SN883CH2/28 | 23 | KN12206 | NAME LABEL B |
| SN883CH2/28 | 24 | TT05426 | AIR PLUG FMP3B |
| SN883CH2/28 | 25 | CN35685 | END CAP FILTER SA-10 |
| SN883CH2/28 | 26 | KN81039 | END CAP ASSY |
| SN883CH2/28 | 27 | EE31121 | WASHER 1-5 (BLACK) |
| SN883CH2/28 | 28 | KN12643 | O-RING 1AP12 |
| SN883CH2/28 | 29 | KN12644 | O-RING 1AP20 |
| SN883CH2/28 | 30 | CN33909 | TRIGGER VALVE HOUSING |
| SN883CH2/28 | 31 | KN12660 | STRAIGHT PIN 2660 |
| SN883CH2/28 | 32 | KN12642 | O-RING 1AP6 |
| SN883CH2/28 | 33 | HH11209 | O-RING 1BP7 N10028 |
| SN883CH2/28 | 34 | CN31589 | PILOT VALVE |
| SN883CH2/28 | 35 | KN12641 | O-RING 1AP9 |
| SN883CH2/28 | 36 | KN12654 | COMPRESSION SPRING 2654 |
| SN883CH2/28 | 37 | KN12658 | TRIGGER VALVE STEM |
| SN883CH2/28 | 38 | KN12647 | O-RING 1B 1.4X2.5 |
| SN883CH2/28 | 39 | CN33910 | TRIGGER VALVE CAP |
| SN883CH2/28 | 40 | KK33404 | SPRING 3404 |
| SN883CH2/28 | 41 | KN12729 | CONTACT LEVER DS |
| SN883CH2/28 | 42 | CN35648 | TRIGGER |
| SN883CH2/28 | 43 | FF22402 | SPRING PIN 3X16 (LIGHT LOAD) |
| SN883CH2/28 | 44 | KN12734 | TRIGGER PUSHER |
| SN883CH2/28 | 45 | KK23129 | COMPRESSION SPRING 3129 |
| SN883CH2/28 | 46 | KN12618 | EXHAUST SEAL |
| SN883CH2/28 | 47 | KN12730 | STEP PIN 8025 |
| SN883CH2/28 | 48 | KK23973 | COMP SPIRNG 3973 |
| SN883CH2/28 | 49 | KN12731 | CONTACT ARM A |
| SN883CH2/28 | 50 | KN12728 | CONTACT LEVER CT |
| SN883CH2/28 | 51 | CN35714 | TRIGGER |
| SN883CH2/28 | 52 | KN12651 | O-RING AS568-144 |
| SN883CH2/28 | 53 | KN12200 | ADJUST DIAL |
| SN883CH2/28 | 54 | KN12404 | NOSE |
| SN883CH2/28 | 55 | KN12668 | SCREW 5X10 |

| Tool Model | INDEX | CODE | DESCRIPTION |
|-------------------|--------------|-------------|--|
| SN883CH2/28 | 56 | KN12720 | COMPRESSION SPRING 2720 |
| SN883CH2/28 | 57 | KN12670 | SCREW 8X28 |
| SN883CH2/28 | 58 | KN12619 | PLANE WASHER 5.1X12X1.2 |
| SN883CH2/28 | 59 | KN12717 | MAGAZINE GUIDE B REPLACES KN12224, KN12540 |
| SN883CH2/28 | 60 | KN12616 | MAGAZINE GUIDE A |
| SN883CH2/28 | 61 | KN12420 | NAIL STOPPER B |
| SN883CH2/28 | 62 | KN12222 | CONTACT BOLT |
| SN883CH2/28 | 63 | KN12652 | O-RING 1A 1.5X5 |
| SN883CH2/28 | 64 | KN70120 | CONTACT ARM B UNIT |
| SN883CH2/28 | 65 | KN12672 | E-RETAINING RING 5 |
| SN883CH2/28 | 66 | KN12624 | NAIL GUIDE B |
| SN883CH2/28 | 67 | KN12722 | NAIL GUIDE A |
| SN883CH2/28 | 68 | KN12407 | NAIL COVER |
| SN883CH2/28 | 69 | KN12409 | TAIL HANGER |
| SN883CH2/28 | 70 | CC49411 | SPECIAL NUT M5(REPLACES TA15554) |
| SN883CH2/28 | 71 | KN12410 | TAIL COVER |
| SN883CH2/28 | 72 | KN12667 | SCREW 5X14 |
| SN883CH2/28 | 73 | KN12419 | NAIL STOPPER |
| SN883CH2/28 | 74 | KN70186 | MAGAZINE ASSY |
| SN883CH2/28 | 75 | EE39609 | RUBBER WASHER 1.8X6X2 |
| SN883CH2/28 | 76 | KN12719 | SPIRAL SPRING 2719 |
| SN883CH2/28 | 77 | KN12661 | PARALLEL PIN 2661 |
| SN883CH2/28 | 78 | KN12412 | PUSHER HOLDER |
| SN883CH2/28 | 79 | KN12411 | PUSHER |
| SN883CH2/28 | 80 | FF31607 | PIN 1607 |
| SN883CH2/28 | 81 | KN12621 | TRIGGER LOCK DIAL |
| SN883CH2/28 | 82 | KK23507 | SPRING 3507 |
| SN883CH2/28 | 83 | KN12622 | TRIGGER LOCK LEVER |
| SN883CH2/28 | 84 | KN12723 | SPRING COLLAR |
| SN883CH2/28 | 85 | KN12231 | ARM COVER |
| SN883CH2/28 | 86 | CN31083 | HOOK, DUST COVER |
| SN883CH2/28 | 87 | KN12655 | COMPRESSION SPRING 2655 |
| SN883CH2/28 | 88 | FF41870 | STEP PIN 1870 |
| SN883CH2/28 | 89 | FF21235 | SPRING PIN 3X30 |
| SN883CH2/28 | 90 | KN12736 | WARNING LABEL |
| SN883CH2/28 | 91 | KN12741 | NAME LABEL |
| SN883CH2/28 | 92 | KN12418 | DUST COVER HOLDER |
| SN883CH2/28 | 93 | KN12415 | DUST COVER |
| SN883CH2/28 | 94 | KN70182 | HOOK ASSY |
| SN883CH2/28 | 95 | BB40470 | SCREW 5X32 |
| SN883CH2/28 | 96 | KN11237 | CONTACT TIP |
| SN883CH2/28 | 97 | CN38310 | HEXAGON NUT WITH FLANGE M5 |
| SN883CH2/28 | 201 | KN81017 | TRIGGER VALVE KIT |
| SN883CH2/28 | 202 | KN70180 | DS TRIGGER ASSY |
| SN883CH2/28 | 203 | KN70187 | ARM GUIDE KIT |
| SN883CH2/28 | 204 | KN70181 | CT TRIGGER ASSY |
| SN883CH2/28 | 205 | KN81074 | O-RING KIT |