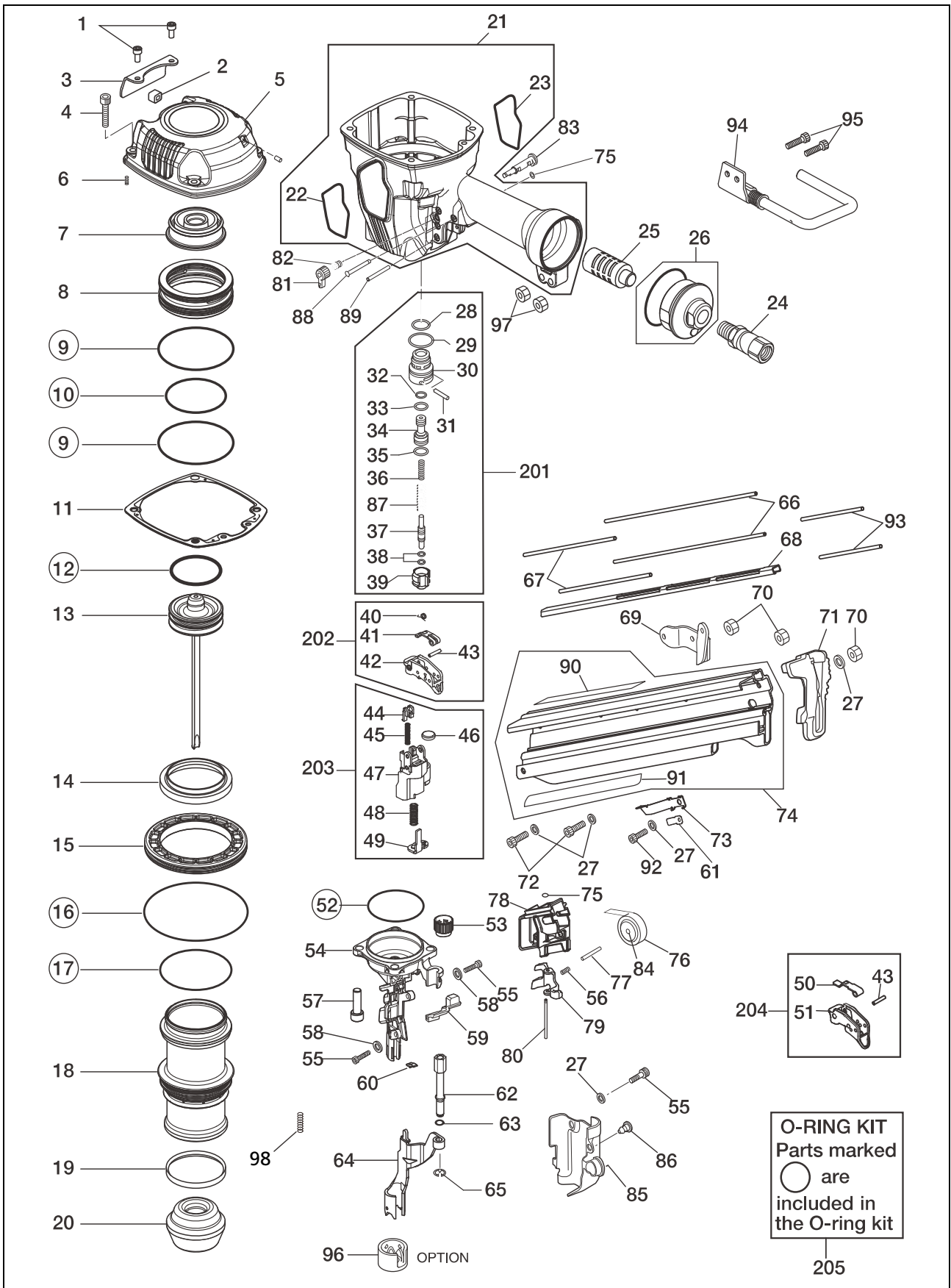


SN890CH3/34

EXPLODED VIEW
AND SPARE PARTS LIST

SCHEMA ECLATE ET LISTE DES
PIECES DE RECHANGE

DESPIECE DE LA MAQUINA Y LISTA
DE RECAMBIOS



Tool Model	Part NO	Part Code	Description
SN890CH3/34	1	KN12666	SCREW 5X12
SN890CH3/34	2	KN12678	EXHAUST GUIDE
SN890CH3/34	3	KN12194	EXHAUST COVER
SN890CH3/34	4	KN12669	SCREW 6X28
SN890CH3/34	5	KN70168	CYLINDER CAP UNIT
SN890CH3/34	6	KK24182	COMPRESSION SPRING 4182
SN890CH3/34	7	CN38169	PISTON STOP
SN890CH3/34	8	KN12656	HEAD VALVE PISTON
SN890CH3/34	9	KN12650	O-RING AS568-150
SN890CH3/34	10	KN12645	O-RING AS568-142
SN890CH3/34	11	KN70142	CYLINDER CAP SEAL UNIT
SN890CH3/34	12	KN12613	O-RING 4.5X48.8
SN890CH3/34	13	KN81092	MAIN PISTON UNIT
SN890CH3/34	14	KN12628	CYLINDER SEAL
SN890CH3/34	15	KN12190	CYLINDER RING
SN890CH3/34	16	KN12649	O-RING 1AG100
SN890CH3/34	17	KN12648	O-RING 1AG70
SN890CH3/34	18	KN12634	CYLINDER
SN890CH3/34	19	KN12614	CHECK VALVE
SN890CH3/34	20	KN12193	BUMPER
SN890CH3/34	21	KN81069	FRAME
SN890CH3/34	22	KN12205	NAME LABEL A
SN890CH3/34	23	KN12206	NAME LABEL B
SN890CH3/34	24	TT05426	SWIVEL JOINT
SN890CH3/34	25	CN35685	END CAP FILTER SA-10
SN890CH3/34	26	KN81039	END CAP ASSY
SN890CH3/34	27	EE31121	WASHER 1-5 (BLACK)
SN890CH3/34	28	KN12643	O-RING 1AP12
SN890CH3/34	29	KN12644	O-RING 1AP20
SN890CH3/34	30	CN33909	TRIGGER VALVE HOUSING
SN890CH3/34	31	KN12660	STRAIGHT PIN 2660
SN890CH3/34	32	KN12642	O-RING 1AP6
SN890CH3/34	33	HH11209	O-RING 1BP7
SN890CH3/34	34	CN31589	PILOT VALVE
SN890CH3/34	35	KN12641	O-RING 1AP9
SN890CH3/34	36	KN12654	COMPRESSION SPRING 2654
SN890CH3/34	37	KN12658	TRIGGER VALVE STEM
SN890CH3/34	38	KN12647	O-RING 1B 1.4X2.5
SN890CH3/34	39	CN33910	TRIGGER VALVE CAP
SN890CH3/34	40	KK33404	SPRING 3404
SN890CH3/34	41	KN12729	CONTACT LEVER DS
SN890CH3/34	42	CN35648	TRIGGER (ORANGE)
SN890CH3/34	43	FF22402	SPRING PIN 3X16 (LIGHT LOAD)
SN890CH3/34	44	KN12734	TRIGGER PUSHER
SN890CH3/34	45	KK23129	COMPRESSION SPRING 3129
SN890CH3/34	46	KN12618	EXHAUST SEAL
SN890CH3/34	47	KN12730	ARM GUIDE
SN890CH3/34	48	KK23973	COMPRESSION SPRING 3973
SN890CH3/34	49	KN12731	CONTACT ARM A
SN890CH3/34	50	KN12728	CONTACT LEVER CT
SN890CH3/34	51	CN35714	TRIGGER (BLACK)

Tool Model	Part NO	Part Code	Description
SN890CH3/34	52	KN12651	O-RING AS568-144
SN890CH3/34	53	KN12200	ADJUST DIAL
SN890CH3/34	54	KN12727	NOSE
SN890CH3/34	55	KN12668	SCREW 5X10
SN890CH3/34	56	KN12720	COMPRESSION SPRING 2720
SN890CH3/34	57	KN12670	SCREW 8X28
SN890CH3/34	58	KN12619	PLANE WASHER 5.1X12X1.2
SN890CH3/34	59	KN12717	MAGAZINE GUIDE B
SN890CH3/34	60	KN12616	MAGAZINE GUIDE A
SN890CH3/34	61	KN12420	NAIL STOPPER B
SN890CH3/34	62	KN12575	CONTACT BOLT
SN890CH3/34	63	KN12652	O-RING 1A 1.5X5
SN890CH3/34	64	KN70120	CONTACT ARM B UNIT
SN890CH3/34	65	KN12672	E-RETAINING RING 5
SN890CH3/34	66	KN12624	NAIL GUIDE B
SN890CH3/34	67	KN12722	NAIL GUIDE A
SN890CH3/34	68	KN12716	NAIL COVER
SN890CH3/34	69	KN12574	TAIL HANGER
SN890CH3/34	70	CC49411	SPECIAL NUT M5(REPLACES TA15554)
SN890CH3/34	71	KN12715	TAIL COVER
SN890CH3/34	72	KN12667	SCREW 5X14
SN890CH3/34	73	KN12419	NAIL STOPPER
SN890CH3/34	74	KN70185	MAGAZINE
SN890CH3/34	75	EE39609	RUBBER WASHER 1.8X6X2
SN890CH3/34	76	KN12719	SPIRAL SPRING 2719
SN890CH3/34	77	KN12661	STRAIGHT PIN 2661
SN890CH3/34	78	KN12714	PUSHER HOLDER
SN890CH3/34	79	KN12712	PUSHER
SN890CH3/34	80	KN12662	PARALLEL PIN 2662
SN890CH3/34	81	KN12621	TRIGGER LOCK DIAL
SN890CH3/34	82	KK23507	STRAIGHT PIN 2662
SN890CH3/34	83	KN12622	TRIGGER LOCK LEVER
SN890CH3/34	84	KN12723	SPRING COLLAR
SN890CH3/34	85	KN12573	ARM COVER
SN890CH3/34	86	CN31083	HOOK, DUST COVER
SN890CH3/34	87	KN12655	COMPRESSION SPRING 2655
SN890CH3/34	88	FF41870	STEP PIN 1870
SN890CH3/34	89	FF21235	SPRING PIN 3X30
SN890CH3/34	90	KN12738	WARNING LABEL
SN890CH3/34	91	KN12739	MODEL NAME LABEL
SN890CH3/34	92	KN12667	SCREW 5X14
SN890CH3/34	93	KN12676	NAIL GUIDE C
SN890CH3/34	94	KN70182	HOOK ASSY
SN890CH3/34	95	BB40470	SCREW 5X32
SN890CH3/34	96	KN11237	CONTACT TIP
SN890CH3/34	97	CN38310	HEXAGON NUT WITH FLANGE M5
SN890CH3/34	98	KK23964	COMPRESSION SPRING 3964
SN890CH3/34	201	KN81017	TRIGGER VALVE KIT
SN890CH3/34	202	KN70180	DS TRIGGER ASSY
SN890CH3/34	203	KN70187	ARM GUIDE KIT
SN890CH3/34	204	KN70181	CT TRIGGER ASSY
SN890CH3/34	205	KN81074	O-RING KIT