

# TA116A/21-13(CE)

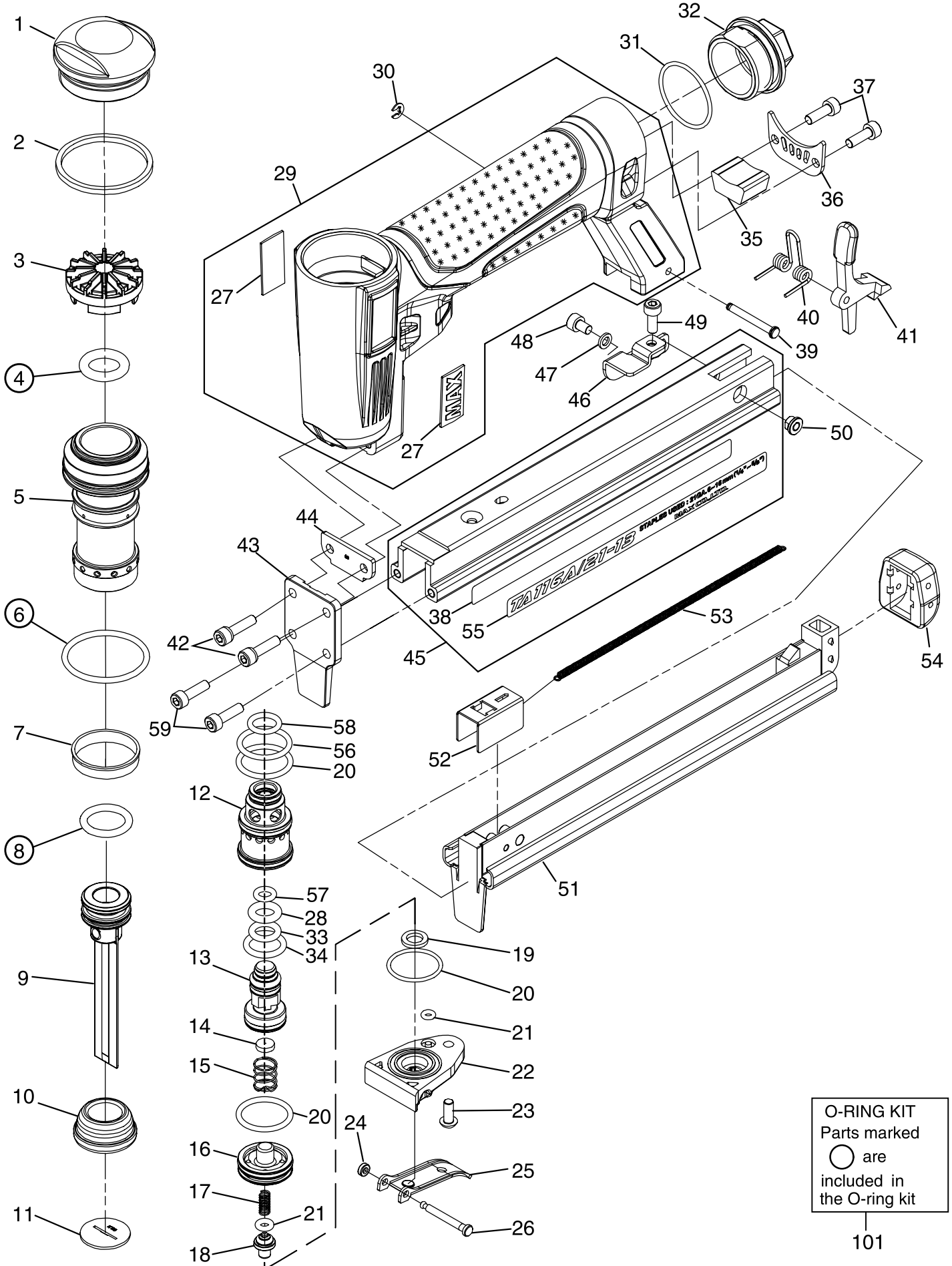
EXPLODED  
VIEW AND SPARE  
PARTS LIST

EINZELTEILDAR-  
STELLUNG UND  
ERSATZEILLISTE

SCHEMA ECLATE ET  
LISTE DES PIÉCES  
DE RECHANGE

ESPLOSO DEI  
COMPONENTI DE  
ELENCO DELLE  
PARTI DI RICAMBIO

DESPIECE DE LA  
MAQUINA Y LISTA  
DE RECAMBIOS



<b>Tool Model</b>	<b>Part NO</b>	<b>Part Code</b>	<b>Description</b>
TA116A/21-13	1	TA18896	CYLINDER CAP
TA116A/21-13	2	TA18897	CYLINDER CAP SEAL
TA116A/21-13	3	TA18908	CYLINDER WASHER
TA116A/21-13	4	TA18909	O-RING 8909
TA116A/21-13	5	TA18898	CYLINDER
TA116A/21-13	6	TA18899	O-RING 8899
TA116A/21-13	7	TA18900	CHECK VALVE
TA116A/21-13	8	TA18901	O-RING 8901
TA116A/21-13	9	TA19912	DRIVER UNIT
TA116A/21-13	10	TA19913	BUMPER
TA116A/21-13	11	TA18988	NOZZLE
TA116A/21-13	12	TA18911	TRIGGER VALVE HOUSING
TA116A/21-13	13	TA18914	MAIN VALVE
TA116A/21-13	14	TA18916	PILOT VALVE BUMPER
TA116A/21-13	15	TA18917	COMPRESSION SPRING8917
TA116A/21-13	16	TA18918	TRIGGER VALVE CAP
TA116A/21-13	17	TA18919	COMPRESSION SPRING8919
TA116A/21-13	18	TA18921	TRIGGER VALVE STEM
TA116A/21-13	19	TA18922	TRIGGER VALVE STEM SEAL
TA116A/21-13	20	TA18912	O-RING 8912
TA116A/21-13	21	TA18920	O-RING 8920
TA116A/21-13	22	TA18923	TRIGGER HOUSING
TA116A/21-13	23	TA18924	HALF ROUND HD.HEX.SCRE
TA116A/21-13	24	TA18927	RUBBER WASHER
TA116A/21-13	25	TA18926	TRIGGER
TA116A/21-13	26	TA18925	STEP PIN 8925
TA116A/21-13	27	TA18930	NAME PLATE
TA116A/21-13	28	TA18966	O-RING 8966
TA116A/21-13	29	TA70315	FRAME UNIT
TA116A/21-13	30	TA18953	E-RING
TA116A/21-13	31	TA18931	O-RING 8931
TA116A/21-13	32	TA18932	END CAP
TA116A/21-13	33	TA18967	O-RING 8967
TA116A/21-13	34	TA18915	O-RING 8915
TA116A/21-13	35	TA18936	EXHAUST FILTER
TA116A/21-13	36	TA18934	EXHAUST COVER
TA116A/21-13	37	TA18935	HEX.SOC.HD.CAP SCREW
TA116A/21-13	38	TA18956	WARNING LABEL
TA116A/21-13	39	TA18952	STEP PIN 8952
TA116A/21-13	40	TA18950	TORSION SPRING
TA116A/21-13	41	TA18951	CLICK LEVER
TA116A/21-13	42	TA18937	HEX.SOC.HD.CAP SCREW
TA116A/21-13	43	TA18989	DRIVER GUIDE
TA116A/21-13	44	TA18990	WARE PLATE
TA116A/21-13	45	TA81350	MAGAZINE ASSY (AFTER)
TA116A/21-13	46	TA18992	TAIL HANGER
TA116A/21-13	47	TA18945	WASHER
TA116A/21-13	48	TA18944	HEX.SOC.HD.CAP SCREW
TA116A/21-13	49	TA18946	HEX.SOC.HD.CAP SCREW
TA116A/21-13	50	TA18942	SPECIAL NUT
TA116A/21-13	51	TA18994	SLIDER UNIT

<b>Tool Model</b>	<b>Part NO</b>	<b>Part Code</b>	<b>Description</b>
TA116A/21-13	52	TA18993	PUSHER
TA116A/21-13	53	TA18954	EXTENSION SPRING
TA116A/21-13	54	TA18949	TAIL COVER
TA116A/21-13	55	TA19923	NAME LABEL(CE&USA)
TA116A/21-13	56	TA18910	O-RING 8910
TA116A/21-13	57	TA18913	O-RING 8913
TA116A/21-13	58	TA18965	O-RING 8965
TA116A/21-13	59	TA18938	HEX.SOC.HD.CAP SCREW
TA116A/21-13	101	TA81248	O-RING KIT