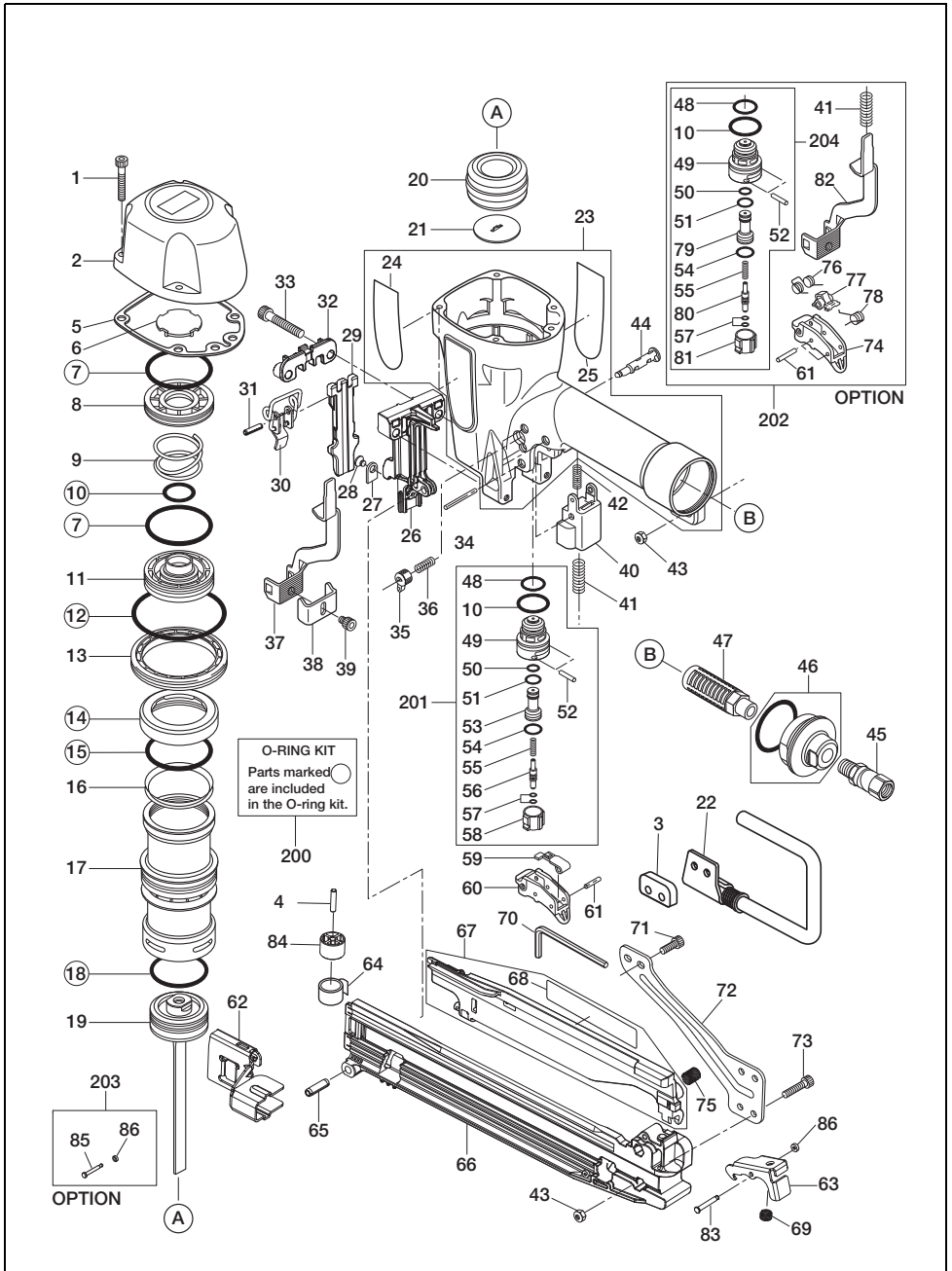


TA551B/16-11

EXPLODED VIEW
AND SPARE PARTS LIST

SCHEMA ECLATE ET LISTE DES
PIECES DE RECHANGE

DESPIECE DE LA MAQUINA Y LISTA
DE RECAMBIOS



Tool Model	Part NO	Part Code	Description
TA551B/16-11	1	BB40470	SCREW 5X32
TA551B/16-11	2	TA18832	CYLINDER CAP (TA16996 replaced)
TA551B/16-11	3	CN38344	HOOK SPACER
TA551B/16-11	4	FF31535	STRAIGHT PIN 1535
TA551B/16-11	5	TA16997	CYLINDER CAP SEAL
TA551B/16-11	6	CN37993	EXHAUST SEAL
TA551B/16-11	7	CN38003	O-RING AP48
TA551B/16-11	8	CN37216	HEAD VALVE GUIDE
TA551B/16-11	9	CN38020	COMP.SPIN 3934
TA551B/16-11	10	HH11138	O-RING AP20
TA551B/16-11	11	CN37217	HEAD VALVE PISTON
TA551B/16-11	12	HH12108	O-RING AG60(FORMER HH12114)
TA551B/16-11	13	CN35060	CYLINDER RING
TA551B/16-11	14	CN37824	CYLINDER SEAL (CN34682 replaced)
TA551B/16-11	15	HH19165	O-RING A 2.6X46.5 (CN-57)
TA551B/16-11	16	CN35131	CHECK VALVE
TA551B/16-11	17	TA18836	CYLINDER (TA16998 replaced)
TA551B/16-11	18	HH11807	O-RING P38
TA551B/16-11	19	TA70278	MAIN PISTON UNIT
TA551B/16-11	20	TA17016	BUMPER
TA551B/16-11	21	TA17017	NOZZLE
TA551B/16-11	22	KN70182	HOOK ASSY
TA551B/16-11	23	TA70452	FRAME ASSY
TA551B/16-11	26	TA18688	NOSE
TA551B/16-11	27	TA18523	WEAR CHIP
TA551B/16-11	28	AA22207	COUNTERSUNK SCREW 4 X 5
TA551B/16-11	29	TA18509	DRIVER GUIDE A
TA551B/16-11	30	TA70447	LATCH UNIT
TA551B/16-11	31	FF21275	SPRING PIN 4X16
TA551B/16-11	32	TA18508	DRIVER GUIDE A
TA551B/16-11	33	BB40465	SCREW M6X45
TA551B/16-11	34	FF21611	ROLL PIN 3X32 AW
TA551B/16-11	35	KN12621	TRIGGER LOCK DIAL
TA551B/16-11	36	KK23507	SPRING 3507
TA551B/16-11	37	TA17007	CONTACT ARM A
TA551B/16-11	38	TA17008	CONTACT ARM B
TA551B/16-11	39	BB40467	HEX SOC HD SCR 5MM X 6MM
TA551B/16-11	40	TA17001	CONTACT ARM GUIDE
TA551B/16-11	41	KK23807	COMP SPRING 3807
TA551B/16-11	42	KK23282	COM. SPRING 3282
TA551B/16-11	43	CC49409	NUT
TA551B/16-11	44	KN12622	TRIGGER LOCK LEVER
TA551B/16-11	45	TT05423	SWIVEL JOINT
TA551B/16-11	46	CN81239	END CAP ASSY
TA551B/16-11	47	TA17024	FILTER A
TA551B/16-11	48	HH11125	O-RING AP12 CN65086
TA551B/16-11	49	CN31323	TRIGGER VALVE HOUSING
TA551B/16-11	50	HH11119	O-RING AP6 N10027
TA551B/16-11	51	HH11209	O-RING 1BP7 N10028
TA551B/16-11	52	FF30161	PIN 161
TA551B/16-11	53	CN31589	PILOT VALVE

Tool Model	Part NO	Part Code	Description
TA551B/16-11	54	HH11113	O-RING AP9 N5528
TA551B/16-11	55	KK24123	COMPRESSION SPRING 4123
TA551B/16-11	56	CN35779	TRIGGER VALVE STEM
TA551B/16-11	57	HH11901	O-RING 1.4 X 2.5 CN65020
TA551B/16-11	58	CN33009	TRIGGER VALVE CAP
TA551B/16-11	59	CN35115	CONTACT LEVER
TA551B/16-11	60	CN35714	TRIGGER
TA551B/16-11	61	FF22402	SPRING PIN 3X16 (LIGHT LOAD)
TA551B/16-11	62	TA18511	PUSHER
TA551B/16-11	63	TA18512	CLICK LEVER
TA551B/16-11	64	KK44023	SPRING 4023
TA551B/16-11	65	FF21613	ROLL PIN 6X20
TA551B/16-11	66	TA18510	MAGAZINE
TA551B/16-11	67	TA70453	STAPLE COVER ASSY
TA551B/16-11	68	TA19939	WARNING LABEL
TA551B/16-11	69	KK23287	COM. SPRING 3287
TA551B/16-11	70	TT15401	HEX. BAR WRENCH 4
TA551B/16-11	71	BB40460	SCREW 5X14
TA551B/16-11	72	TA17013	TAIL HANGER
TA551B/16-11	73	BB40401	SCREW 5 X 22
TA551B/16-11	74	CN35714	TRIGGER (CN35648 replaced)
TA551B/16-11	75	KK29015	COMP. SPRING 9015
TA551B/16-11	76	KK33247	SPRING 3247
TA551B/16-11	77	TA16138	S.T. LEVER
TA551B/16-11	78	KK33144	TORSION SPRING 3144
TA551B/16-11	79	CN33627	PILOT VALVE
TA551B/16-11	80	CN33723	TRIGGER VALVE STEM
TA551B/16-11	81	CN31346	TRIGGER VALVE CAP
TA551B/16-11	82	TA17023	CONTACT ARM A
TA551B/16-11	83	FF41599	PIN 1599
TA551B/16-11	84	GN10424	SPRING COLLAR
TA551B/16-11	85	FF41842	PIN 1842
TA551B/16-11	86	EE39609	RUBBER WASHER 1.8X6X2
TA551B/16-11	200	TA81012	O-RING KIT
TA551B/16-11	201	TA81178	TRIGGER VALVE KIT
TA551B/16-11	202	TA81011	SEQ. TRIP ASSY
TA551B/16-11	203	TA81014	STEP PIN KIT
TA551B/16-11	204	CN80150	SEQUENTIAL TRIGGER VALVE ASSY